



MH192 Specifications

Low Voltage and High Sensitivity Hall Effect Latch

MH192 Hall-Effect sensor is a temperature stable, stress-resistant latch. Superior high-temperature performance is made possible through a dynamic offset cancellation that utilizes chopper-stabilization. This method reduces the offset voltage normally caused by device over molding, temperature dependencies, and thermal stress.

MH192 includes the following on a single silicon chip: voltage regulator, Hall voltage generator, small-signal amplifier, chopper stabilization, Schmitt trigger, open-drain output. Advanced CMOS wafer fabrication processing is used to take advantage of low-voltage requirements, component matching, very low input-offset errors, and small component geometries.

This device requires the presence of both south and north polarity magnetic fields for operation. In the presence of a south polarity field of sufficient strength, the device output latches on, and only switches off when a north polarity field of sufficient strength is present.

MH192 is rated for operation between the ambient temperatures -40°C and 85°C for the E temperature range, and -40°C to 125°C for the K temperature range. The two package styles available provide magnetically optimized solutions for most applications. Package SO is an SOT-23, a miniature low-profile surface-mount package, while package UA is a three-lead ultra mini SIP for through-hole mounting.

The package type is in a Halogen Free version was verified by third party Lab.

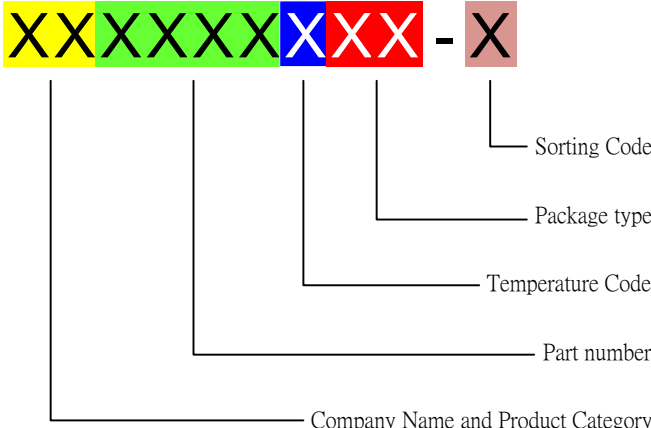
Features and Benefits

- Operation down to 1.65V
- Low power consumption(4.5mA)
- Chopper stabilized amplifier stage
- Optimized for BLDC motor applications
- New miniature package / thin, high reliability package
- 100% tested at 125°C for K.
- Custom sensitivity / Temperature selection are available.
- High ESD Protection, HBM $> \pm 4\text{KV}$ (min)

Applications

- High temperature Fan motor
- 3 phase BLDC motor application
- Speed sensing
- Position sensing
- Current sensing
- Revolution counting
- Solid-State Switch
- Linear Position Detection
- Angular Position Detection
- Proximity Detection

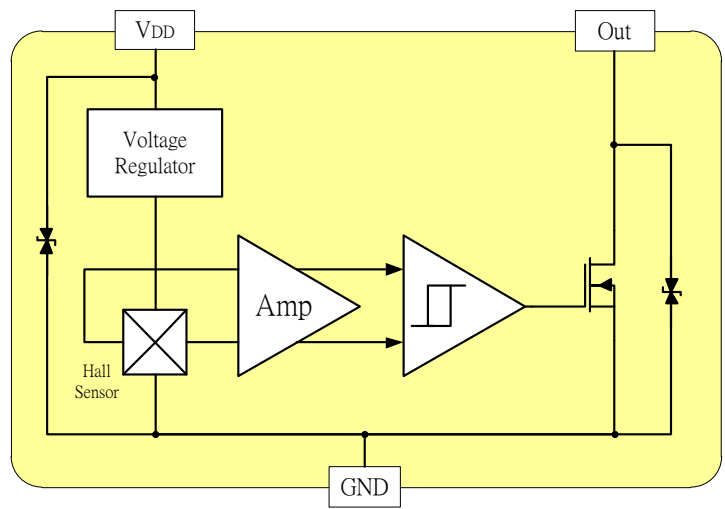
Ordering Information

	<p>Company Name and Product Category MH:MST Hall Effect/MP:MST Power IC</p> <p>Part number 181,182,183,184,185,248,249,276,477,381,381F,381R,382..... If part # is just 3 digits, the fourth digit will be omitted.</p> <p>Temperature range E: 85 °C, I: 105 °C, K: 125 °C, L: 150 °C</p> <p>Package type UA:TO-92S,VK:TO-92S(4pin),VF:TO-92S(5pin),SO:SOT-23, SQ:QFN-3,ST:TSOT-23,SN:SOT-553,SF:SOT-89(5pin), SS:TSOT-26,SD:DFN-6,SG:SOT-89(3pin)</p> <p>Sorting α, β, Blank.....</p>
---	--

Part No.	Temperature Suffix	Package Type
MH192KUA	K (-40°C to + 125°C)	UA (TO-92S)
MH192KSO	K (-40°C to + 125°C)	SO (SOT-23)
MH192EUA	E (-40°C to + 85°C)	UA (TO-92S)
MH192ESO	E (-40°C to + 85°C)	SO (SOT-23)
MH192ESQ	E (-40°C to + 85°C)	SQ (QFN2020-3)

KUA spec is using in industrial and automotive application. Special Hot Testing is utilized.

Functional Diagram



Absolute Maximum Ratings At ($T_a=25^\circ\text{C}$)

Characteristics		Values	Unit
Supply voltage, (V_{DD})		7	V
Output Voltage, (V_{out})		6	V
Reverse voltage , (V_{DD}) (V_{OUT})		-0.3	V
Magnetic flux density		Unlimited	Gauss
Output current , (I_{out})		25	mA
Operating Temperature Range, (T_a)	“E” version	-40 to +85	$^\circ\text{C}$
	“K” version	-40 to +125	$^\circ\text{C}$
Storage temperature range, (T_s)		-65 to +150	$^\circ\text{C}$
Maximum Junction Temp, (T_j)		150	$^\circ\text{C}$
Thermal Resistance	(θ_{ja}) UA / SO / SQ	206 / 543 / 543	$^\circ\text{C}/\text{W}$
	(θ_{jc}) UA / SO / SQ	148 / 410 / 410	$^\circ\text{C}/\text{W}$
Package Power Dissipation, (P_D) UA / SO / SQ		606 / 230 / 230	mW

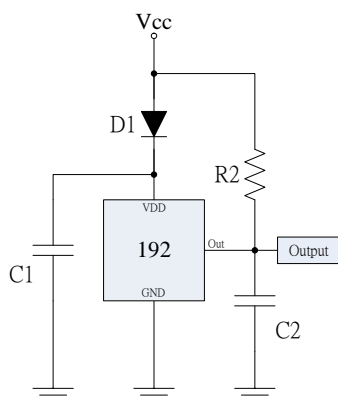
Note: Do not apply reverse voltage to V_{DD} and V_{OUT} Pin, It may be caused for Miss function or damaged device.

Electrical Specifications

DC Operating Parameters $T_A=+25^\circ\text{C}$, $V_{DD}=5.0\text{V}$

Parameters	Test Conditions	Min	Typ	Max	Units
Supply Voltage, (V_{DD})	Operating	1.65		6.0	V
Supply Current, (I_{DD})	$B < B_{OP}$		4.5	6.0	mA
Output Saturation Voltage, (V_{sat})	$I_{OUT} = 10\text{ mA}$, $B > B_{OP}$			400.0	mV
Output Leakage Current, (I_{off})	$I_{OFF} B < B_{RP}$, $V_{OUT} = 5\text{V}$			10.0	μA
Output Rise Time, (T_R)	$V_{DD} = 5\text{V}$, $R_L = 10\text{k}\Omega$, $C_L = 20\text{pF}$			0.45	μs
Output Fall Time, (T_F)	$R_L = 10\text{k}\Omega$; $C_L = 20\text{pF}$			0.45	μs
Electro-Static Discharge	HBM	4			KV
Operate Point, (B_{OP})		10		60	Gauss
Release Point, (B_{RP})		-60		-10	Gauss
Hysteresis, (B_{HYS})			60		Gauss

Typical application circuit



D1 : 1N4148 or 100Ω

C1 : 1000PF

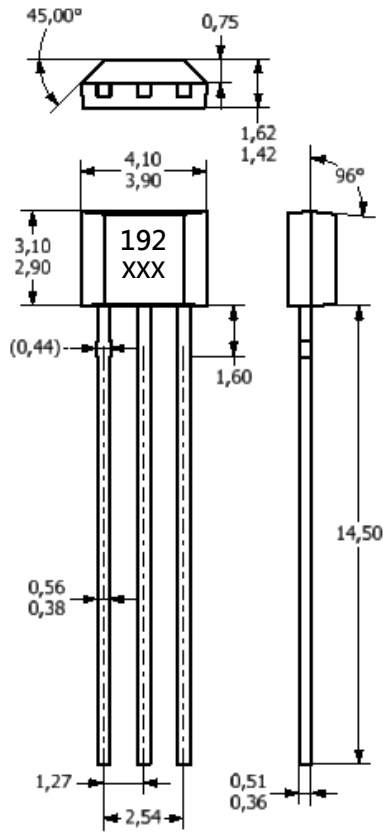
C2 : 15PF

R2 : $10\text{K}\Omega$

Sensor Location, Package Dimension and Marking

MH192 Package

UA Package

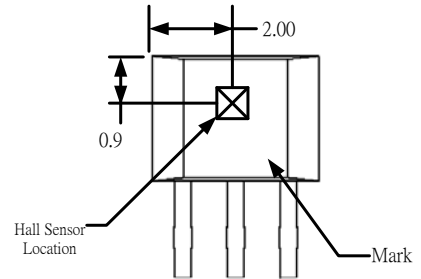


NOTES:

- 1).Controlling dimension: mm
- 2).Leads must be free of flash and plating voids
- 3).Do not bend leads within 1 mm of lead to package interface.
- 4).PINOUT:

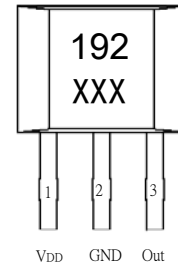
Pin 1	V _{DD}
Pin 2	GND
Pin 3	Output

Hall Chip location



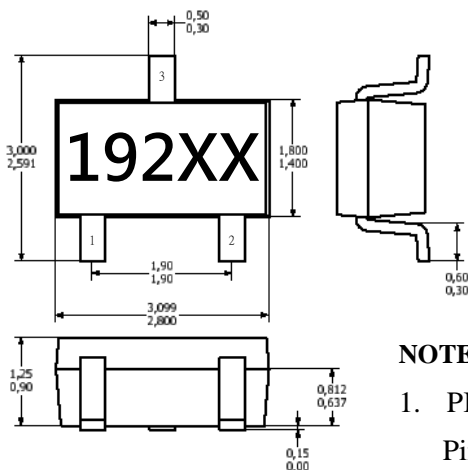
Output Pin Assignment

(Top view)



Package (SOT-23)

(Top View)



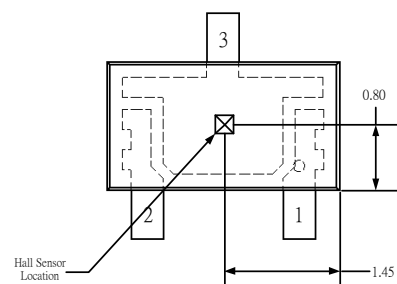
NOTES:

1. PINOUT (See Top View at left :)

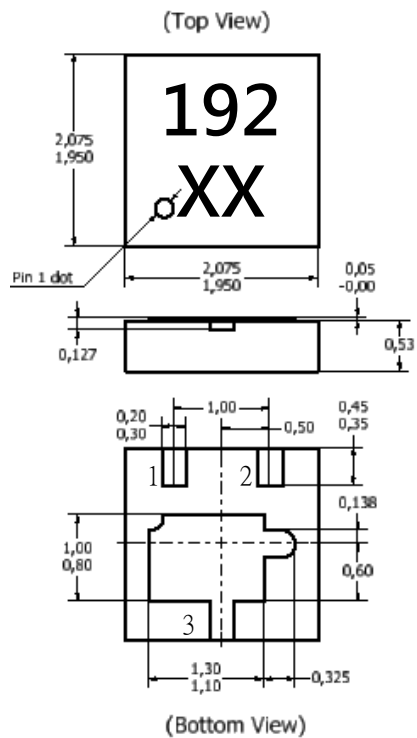
Pin 1	V _{DD}
Pin 2	Output
Pin 3	GND
2. Controlling dimension: mm
3. Lead thickness after solder plating will be 0.254mm maximum

Hall Plate Chip Location

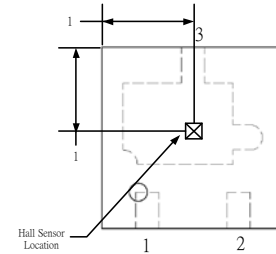
(Bottom view)



SQ Package



Hall Plate Chip Location
(Top view)



NOTES:

- PINOUT (See Top View at left)
Pin 1 VDD
Pin 2 Output
Pin 3 GND
- Controlling dimension:
mm;
- Chip rubbing will be
10mil maximum;
- Chip must be in PKG.
center.