

MH477S is the integrated Hall sensor with output drivers designed for electrical commutation of brush-less DC motor application. The devices are included as follows: on-chip Hall voltage generator for magnetic sensing; the amplifier that amplifies the Hall voltage; a comparator is to provide switching hysteresis for noise rejection; the bi-direction drivers for sinking and driving large current load. Internal band gap regulator is used to provide temperature compensated bias for internal circuits and allows a wide operating supply voltage range.

If a magnetic flux density larger than threshold B_{op} , DO is turned to sink and DOB is turned to drive. The output state is held until a magnetic flux density reversal falls below B_{rp} causing DO to be turned to drive and DOB turned to sink.

MH477S is rated for operation over-temperature range from $-20\text{ }^{\circ}\text{C}$ to $85\text{ }^{\circ}\text{C}$, and voltage range from 3.5V to 20V. The device is packaged by SIP-4.

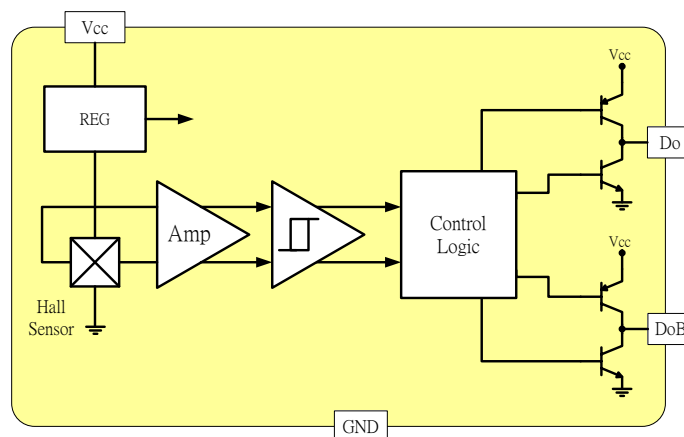
Features and Benefits

- On-chip Hall sensor with two different sensitivity and hysteresis settings
- Bi-direction H type output drivers for single coil
- Internal band gap regulator allows temperature compensated operations
- 3.5V to 20V operating voltage
- 200mA (avg.) output sink current
- -20° to $+85^{\circ}\text{C}$ operating temperature
- Low cost and high sensitivity Fan Driver

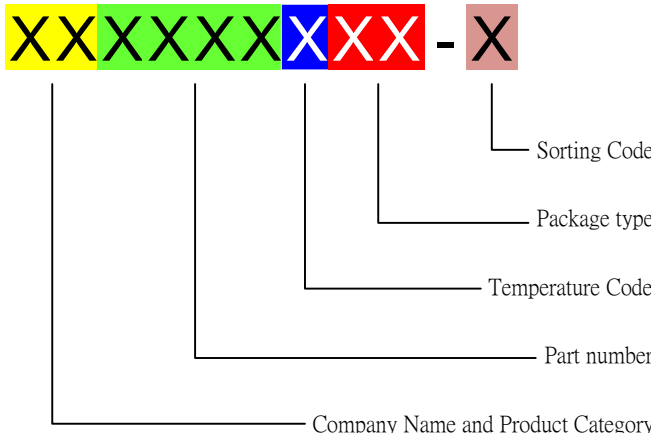
Applications

- Single-coil Brush-less DC Motor
- Single -coil Brush-less DC Fan

Functional Diagram



Ordering Information

	<p>Company Name and Product Category MH:MST Hall Effect/MP:MST Power IC</p> <p>Part number 181,182,183,184,185,248,249,276,477,381,381F,381R,382..... If part # is just 3 digits, the forth digit will be omitted.</p> <p>Temperature range E: 85 °C, I: 105 °C, K: 125 °C, L: 150 °C</p> <p>Package type UA:TO-92S,VK:TO-92S(4pin),VF:TO-92S(5pin),SO:SOT-23, SQ:QFN-3,ST:TSOT-23,SN:SOT-553,SF:SOT-89(5pin), SS:TSOT-26,SD:DFN-6</p> <p>Sorting α, β, Blank.....</p>
---	---

Part No.	Temperature Suffix	Package Type
MH477SEVK-A	E (-20°C to + 85°C)	VK (4-pin TO-92S)
MH477SEVK-B	E (-20°C to + 85°C)	VK (4-pin TO-92S)
MH477SEVK-C	E (-20°C to + 85°C)	VK (4-pin TO-92S)

Absolute Maximum Ratings At(Ta=25°C)

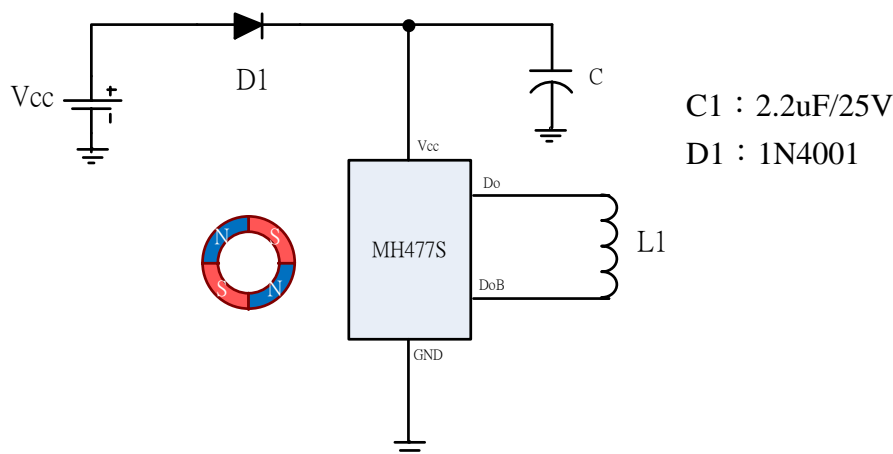
Characteristics	Values	Unit
Supply voltage,(Vcc)	20	V
Magnetic flux density	Unlimited	Gauss
Output “on” current,(I _{OUT})	Continuous	200
	Hold	300
	Peak (Start Up)	600
Operating temperature range, (Ta)	-20 to +85	°C
Storage temperature range, (Ts)	-65 to +150	°C
Maximum Junction Temp,(Tj)	150	°C
Thermal Resistance	(θ_{JA})	227
	(θ_{JC})	49
Package Power Dissipation, (Pd)	550	mW

Electrical Specifications

DC Operating Parameters : $T_a = +25^\circ\text{C}$, $V_{CC} = 12\text{V}$

Parameters	Test Conditions	Min	Typ	Max	Units
Supply Voltage, (V_{CC})	Operating	3.5		20.0	V
Supply Current, (I_{CC})	$B < B_{rp}$		12	25.0	mA
Output Saturation Voltage (V_{sat})	(Sink)		200	400	mV
	(Drive)	$V_{CC} = 14\text{V}$, $I_C = 100\text{mA}$	$V_{CC} - 1.3$	V_{CC}	V
Output Rise Time, (T_R)	$R_L = 820\Omega$, $C_L = 20\text{PF}$		1.0	5.0	μs
Output Falling Time, (T_F)	$R_L = 820\Omega$, $C_L = 20\text{PF}$		0.3	1.5	μs
Switch Time Differential, (T_S)	$R_L = 820\Omega$, $C_L = 20\text{PF}$		1.0	5.0	μs
Operate Point, (B_{OP})	"A" Grade	5		70	Gauss
	"B" Grade	0		100	Gauss
	"C" Grade			130	Gauss
Release Point, (B_{RP})	"A" Grade	-70		-5	Gauss
	"B" Grade	-100		0	Gauss
	"C" Grade	-130			Gauss
Hysteresis, (B_{HYS})	'A' 'B' 'C' Grade		70		Gauss

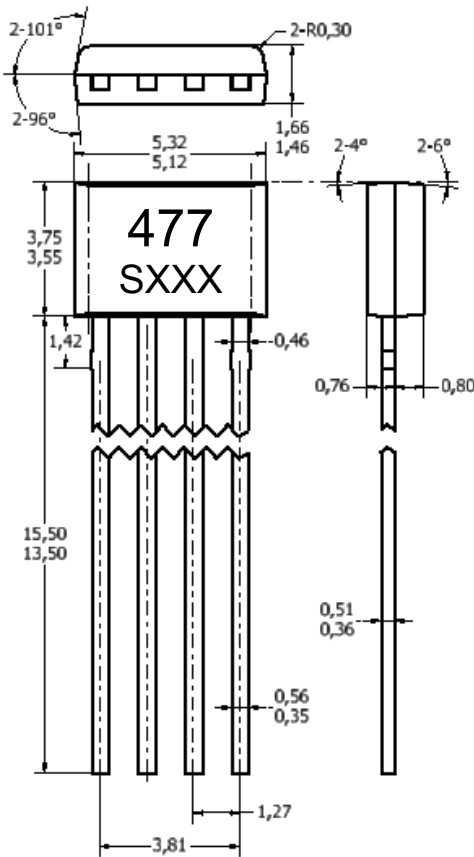
Typical application circuit



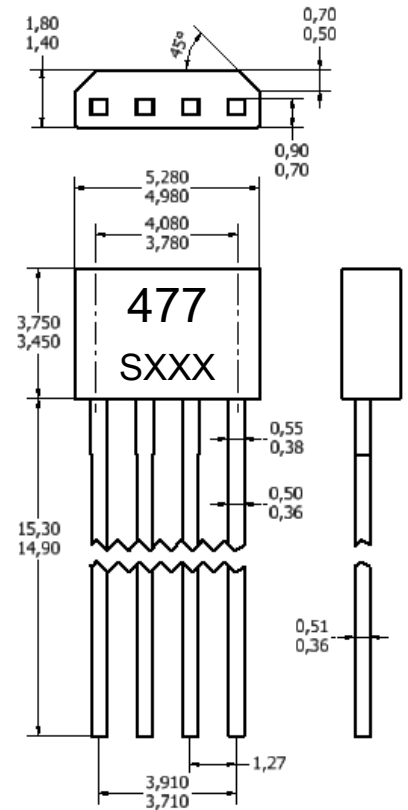
Sensor Location with Pin out and Package dimension

VK Package (To-92 4 pins)

For Halogen Free



For PB free

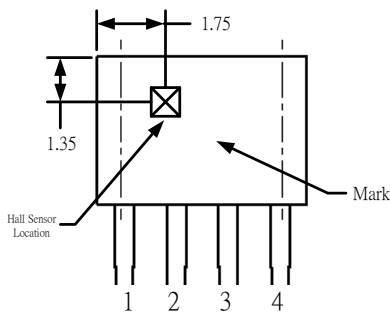


NOTES:

- 1).Controlling dimension: mm
- 2).Leads must be free of flash and plating voids
- 3).Do not bend leads within 1 mm of lead to package interface.
- 4).PINOUT:

Pin 1	Vcc
Pin 2	Do
Pin 3	DoB
Pin 4	GND

Hall Chip location



Output Pin Assignment

